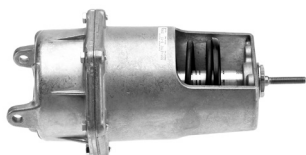


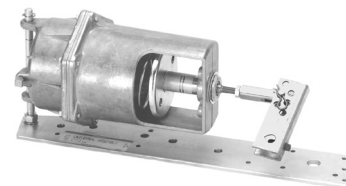
No. 6 Pneumatic Actuator



331-2792 and 331-3060 No. 6
Pneumatic Actuator,
pivot mounting type.



331-2856 No. 6
Pneumatic Actuator and
clevis for frame mounting.



331-3011 No. 6 Pneumatic Actuator,
clevis, crank and rocker arm. Universal mounting for
extended shaft or frame mounting.

Description

Designed with a 4-inch (102 mm) stroke, the No. 6 Pneumatic Actuator is a rugged, metal-fabricated device that provides gradual or positive actuation of HVAC and fire/smoke dampers.

Features

- Replaceable diaphragm
- Variety of spring ranges for sequencing with other control devices
- High torque

Options

- Positioning relay
- Forward travel stops

Applications

Recommended for multiple applications, the No. 6 Pneumatic Actuator is excellent for control of outdoor air, return air, mixed air, exhaust, face and bypass, fan discharge, multisection, static pressure control, fan inlet vanes and other special applications.

An actuator marked with an asterisk is recognized under UL's Damper Actuator category (EMKU2) for use on fire dampers and leakage-rated dampers.

B-43

Damper Actuators

Nominal Spring Rating	Max. Thrust lb. (N)				Gradual Operation	Torque Rating lb.-in (Nm)		
	Full Stroke Forward			Spring Return (No Stroke) 0 psi (0 kPa)		2-position Operation or with Positioner		
	15 psi (103 kPa)	18 psi (124 kPa)	25 psi (172 kPa)			15 psi (103 kPa)	18 psi (124 kPa)	25 psi (172 kPa)
3 to 8 psi (21 to 55 kPa)	125 (556)	179 (796)	304 (1352)	54 (240)	50 (5.6)	75 (8.5)	75 (8.5)	75 (8.5)
3 to 13 psi (21 to 90 kPa)	36 (160)	89 (396)	214 (952)	54 (240)	50 (5.6)	75 (8.5)	75 (8.5)	75 (8.5)
8 to 13 psi (55 to 90 kPa)	36 (160)	89 (396)	214 (952)	144 (640)	50 (5.6)	202 (22.8)	202 (22.8)	202 (22.8)

With maximum hysteresis of 2.5 psi (17.2 kPa) @ 90° rotation.

No. 6 Pneumatic Specifications

Effective Diaphragm Area	17.9 in. ² (115 cm ²)
Stroke	4-in. (102 mm)
Max. Air Pressure	30 psi (207 kPa)
Nominal Spring Ranges	3 to 8 psi (21 to 55 kPa) 3 to 13 psi (21 to 90 kPa) 8 to 13 psi (55 to 90 kPa)
Temperature Range	
Operating.....	-20 to +200°F (-29 to +93°C)
Storage.....	-20 to +200°F (-29 to +93°C)

Materials	
Housing	Aluminum
Stem	Type 416 Stainless Steel
Diaphragm	Silicone Rubber
Spring	Steel
Bearing	Bronze Oilite

Air Connection 1/8" NPT Female

Type of Mounting Pivot; Universal (extended shaft or frame mount)

Shipping Weight (Actuator only) 9.0 lb. (4.08 kg)

No. 6 Pneumatic Product Ordering

Description	Mounting Style	Part No.		
		Nominal Spring Range		
		3-8 psi (21-55 kPa)	3-13 psi (21-90 kPa)	8-13 psi (55-90 kPa)
Actuator, Integral Pivot	Pivot	331-2793	331-2794	331-3060
Actuator, Integral Pivot and Forward Travel Stops	Pivot	—	—	331-2988
Actuator with Clevis	Pivot ¹	331-2857	331-2858	331-2856
Actuator with Clevis and Positioning Relay	Pivot ¹	—	—	332-2856
Actuator, Integral Pivot with pivot post. Mounted on plate for extended shaft mounting with Clevis and Crank for 3/8" (10 mm), 7/16" (11 mm) or 1/2" (13 mm) diameter shaft.	Extended Shaft	331-3012	331-3013	331-3011*
Actuator, Integral Pivot with pivot post. Mounted on plate for extended shaft mounting with Clevis and Crank for 3/8" (10 mm), 7/16" (11 mm) or 1/2" (13 mm) diameter shaft.	Extended Shaft Kit with Positioning Relay	—	—	332-3011
Actuator, Extended Temperature Range Model	Pivot	—	—	331-3060*

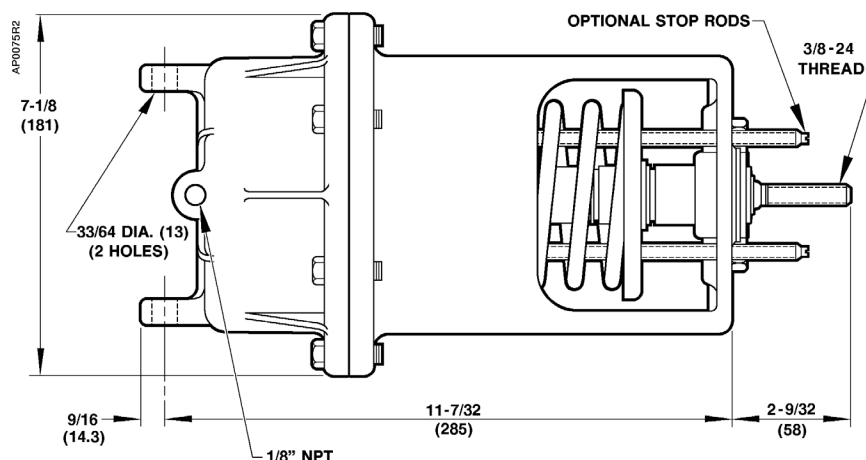
Ordering Notes

- Also order frame mounting kit accessories.
- When the actuator is ordered with universal mounting, mounting plate, pivot post and hardware, clevis, damper crank, rocker arm and all screws/nuts are included. Order other frame mounting accessories as required if not supplied by damper manufacturer.
- * UL component recognized.
- Siemens No. 6 Pneumatic Damper Actuator contains a diaphragm with silicone rubber. For HVAC applications where products containing silicone are unacceptable, contact your Siemens representative for damper actuators with a silicone-free diaphragm.

Accessories & Service Kits

B-49

No. 6 Pneumatic Dimensions



Dimensions shown in inches (mm).